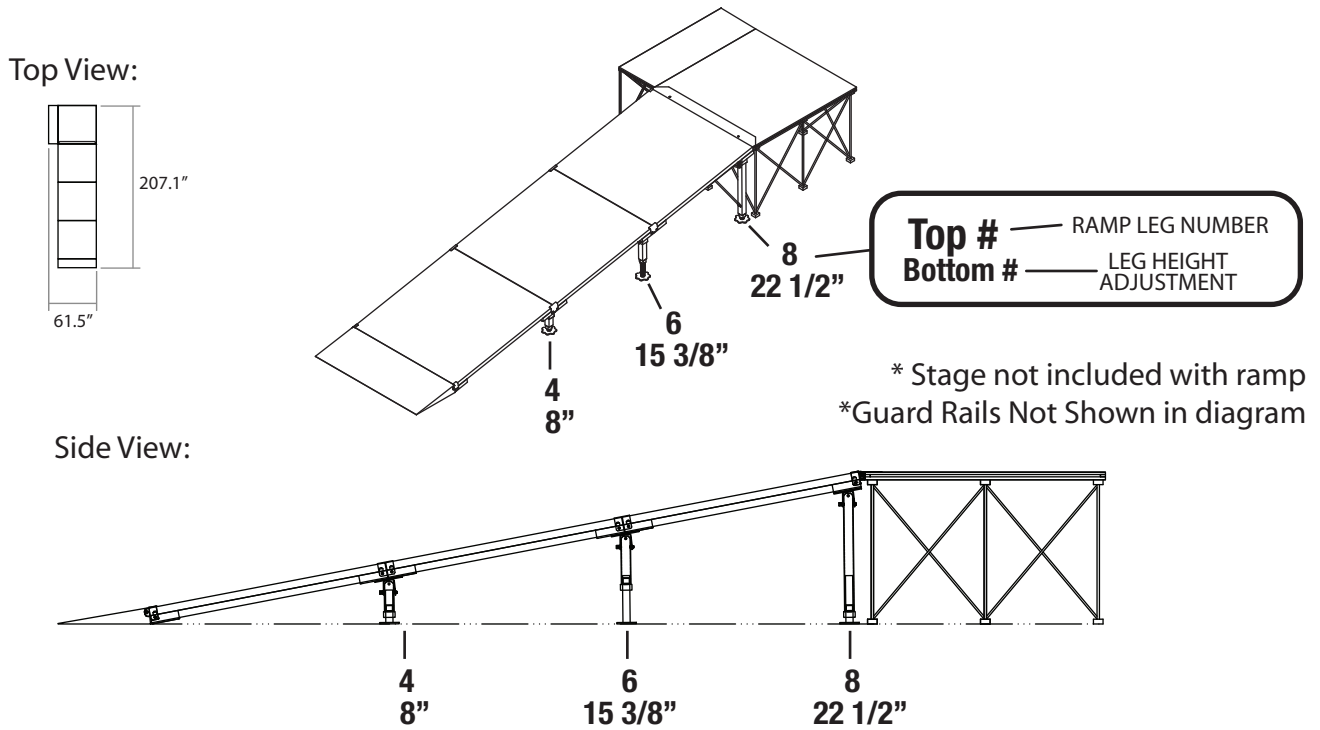


IS24RLCGR, IS24RLTGR, IS24RLIGR



Equipment Ramp with Guard Rails and Landing for 24 inch High Stages guardrails not shown



SKU	DESCRIPTION	PCS PER MASTER PACK	QTY IN SET
ISP4X4CD or ISP4X4TD or ISP4X4ID	4' x 4' Carpet Finish Platforms 4' x 4' TuffCoat Finish Platforms 4' x 4' Industrial Finish Platforms	2	2
ISSTEP4 or ISSTEP4 or ISSTEP14	4' x 1' Carpet Finish Step Platform 4' x 1' TuffCoat Finish Step Platform 4' x 1' Industrial Finish Step Platform	1	1
IS4X4X24	24" High Riser for 4'X4' Platform	1	1
ISSTEP4X24	24" High Riser for 4' x 12" Step	1	1
ISRBP	Bottom ramp plate with mounting hardware	1	1
ISRCP	Platform connecting plate	1	1
ISRPF	Metal platform assembly plate	1	3
IS2AL4	Two pack of equipment ramp adjustable leg # 4 with hardware	2	1
IS2AL6	Two pack of equipment ramp adjustable leg # 6 with hardware	2	1
IS2AL8	Two pack of equipment ramp adjustable leg # 8 with hardware	2	1
ISLCB	Pack of cross bars for leg sets # 8 or 9	2	1
ISRSTEPGRPD	Two pack of step guard rail ramp panels w/ mounting hardware	2	1
ISRGRPD	Two pack guard rail panels for 4' ramps w/ mounting hardware	2	3
ISARGRPD	Two pack adjustable ramp guard rail panels w/ mounting hardware	2	1
IS2CMB	Two pack of guard rail panel corner mounting bracket	2	1