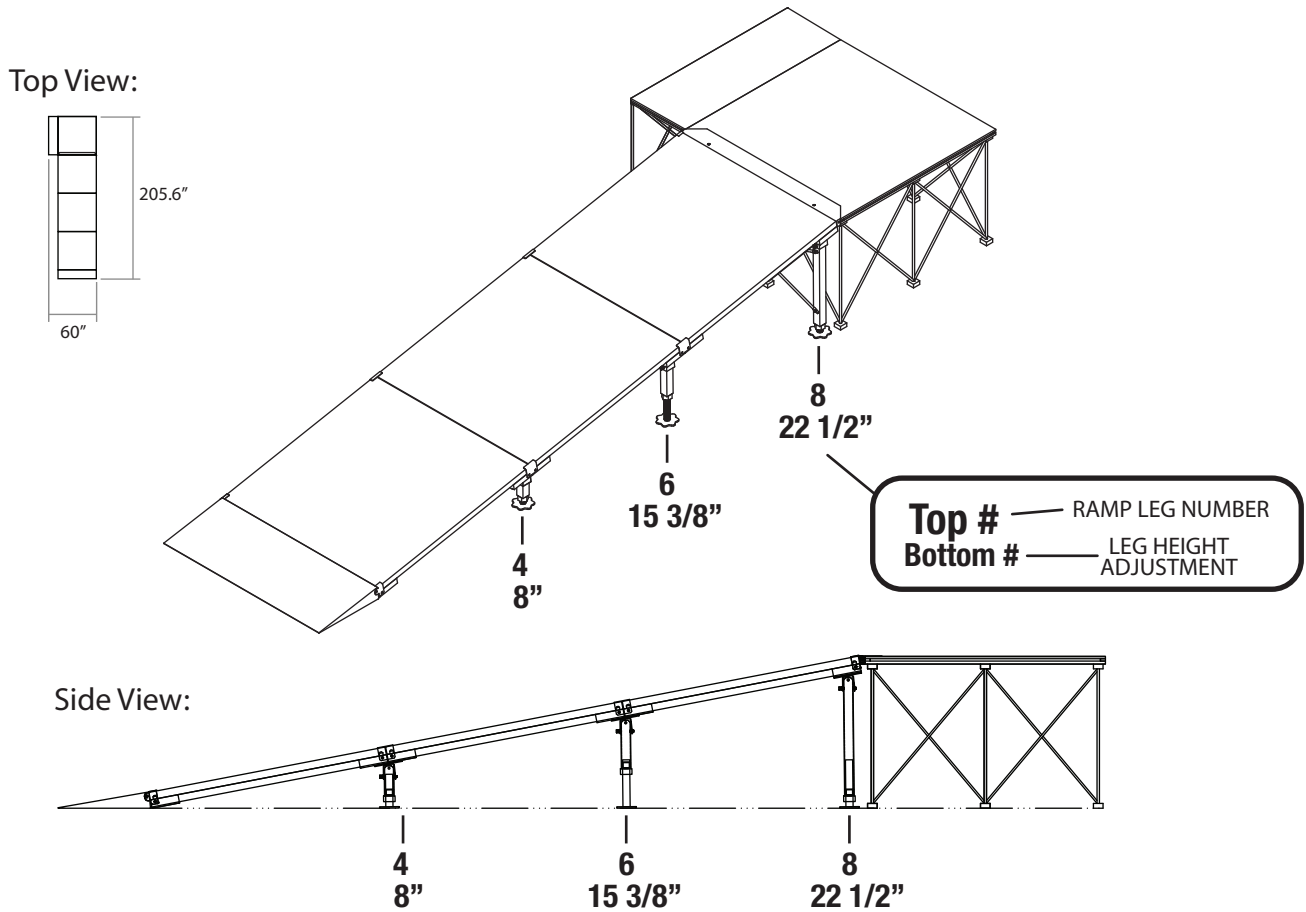


IS24RLC, IS24RLT, IS24RLI



Equipment Ramp with Landing for 24 inch High Stages



SKU	DESCRIPTION	PCS PER MASTER PACK	QTY IN SET
ISP4X4CD or ISP4X4TD or ISP4X4ID	4' x 4' Carpet Finish Platforms 4' x 4' TuffCoat Finish Platforms 4' x 4' Industrial Finish Platforms	2	2
ISSTEP4 or ISSTEP4 or ISSTEP14	4' x 1' Carpet Finish Step Platform 4' x 1' TuffCoat Finish Step Platform 4' x 1' Industrial Finish Step Platform	1	1
IS4X4X24	24" High Riser for 4'X4' Platform	1	1
ISSTEP4X24	24" High Riser for 4' x 12" Step	1	1
ISRBP	Bottom ramp plate with mounting hardware	1	1
ISRCP	Platform connecting plate	1	1
ISRPF	Metal platform assembly plate	1	3
IS2AL4	Two pack of equipment ramp adjustable leg # 4 with hardware	2	1
IS2AL6	Two pack of equipment ramp adjustable leg # 6 with hardware	2	1
IS2AL8	Two pack of equipment ramp adjustable leg # 8 with hardware	2	1
ISLCB	Pack of cross bars for leg sets # 8 or 9	2	1