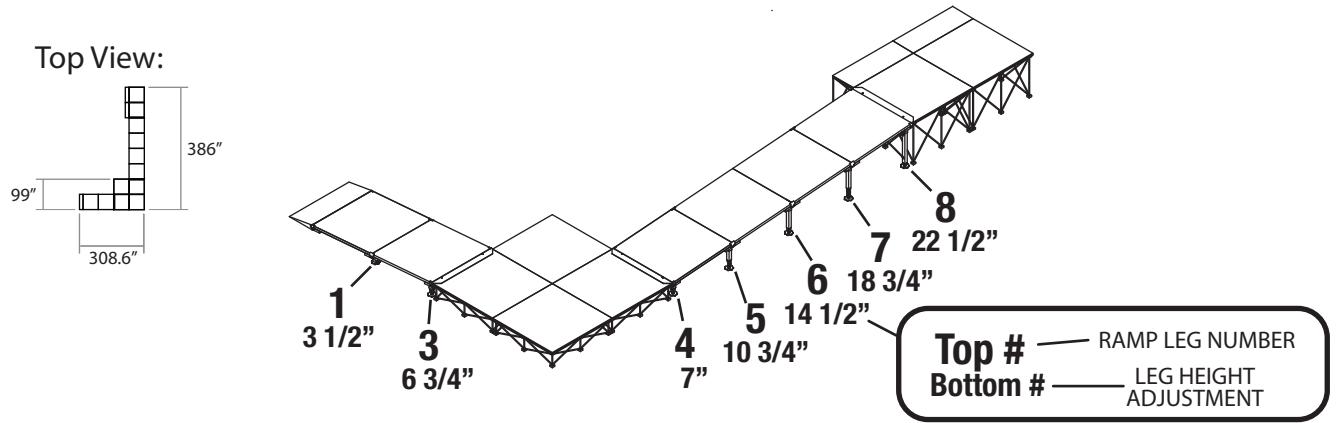


# IS24R90WC, IS24R90WT, IS24R90WI

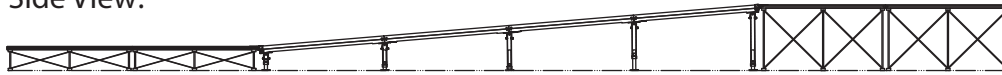


## 90 Degree Turn Wheelchair Ramp for 24 inch High Stages

Wheelchair ramps include guardrails (not shown)



Side View:



SKU	DESCRIPTION	PCS PER MASTER PACK	QTY IN SET
ISP4X4CD or ISP4X4TD or ISP4X4ID	4' x 4' Carpet Finish Platforms 4' x 4' TuffCoat Finish Platforms 4' x 4' Industrial Finish Platforms	2	6
ISSTEPC4 or ISSTEPT4 or ISSTEPI4	4' x 1' Carpet Finish Step Platform 4' x 1' TuffCoat Finish Step Platform 4' x 1' Industrial Finish Step Platform	1	2
IS4X4X8	8" High Riser for 4'X4' Platform	1	4
IS4X4X24	24" High Riser for 4'X4' Platform	1	2
ISSTEP4X24	24" High Riser for 4' x 12" Step	1	2
ISRBP	Bottom ramp plate with mounting hardware	1	1
ISRCP	Platform connecting plate	1	3
ISRPF	Metal platform assembly plate	1	6
IS2AL1	Two pack of equipment ramp adjustable leg # 1 with hardware	2	1
IS2AL3	Two pack of equipment ramp adjustable leg # 3 with hardware	2	1
IS2AL4	Two pack of equipment ramp adjustable leg # 4 with hardware	2	1
IS2AL5	Two pack of equipment ramp adjustable leg # 5 with hardware	2	1
IS2AL6	Two pack of equipment ramp adjustable leg # 6 with hardware	2	1
IS2AL7	Two pack of equipment ramp adjustable leg # 7 with hardware	2	1
IS2AL8	Two pack of equipment ramp adjustable leg # 8 with hardware	2	1
ISLCB	Pack of cross bars for leg sets # 8 or 9	2	1
ISRSTEPGRPD	Two pack of step ramp guard rail panels w/ mounting hardware	2	1
ISRGRPD	Two pack guard rail panels for 4' ramps w/ mounting hardware	2	8
ISARGRPD	Two pack adjustable ramp guard rail panels w/ mounting hardware	2	3
IS2CMB	Two pack of guard rail panel corner mounting bracket	2	3