

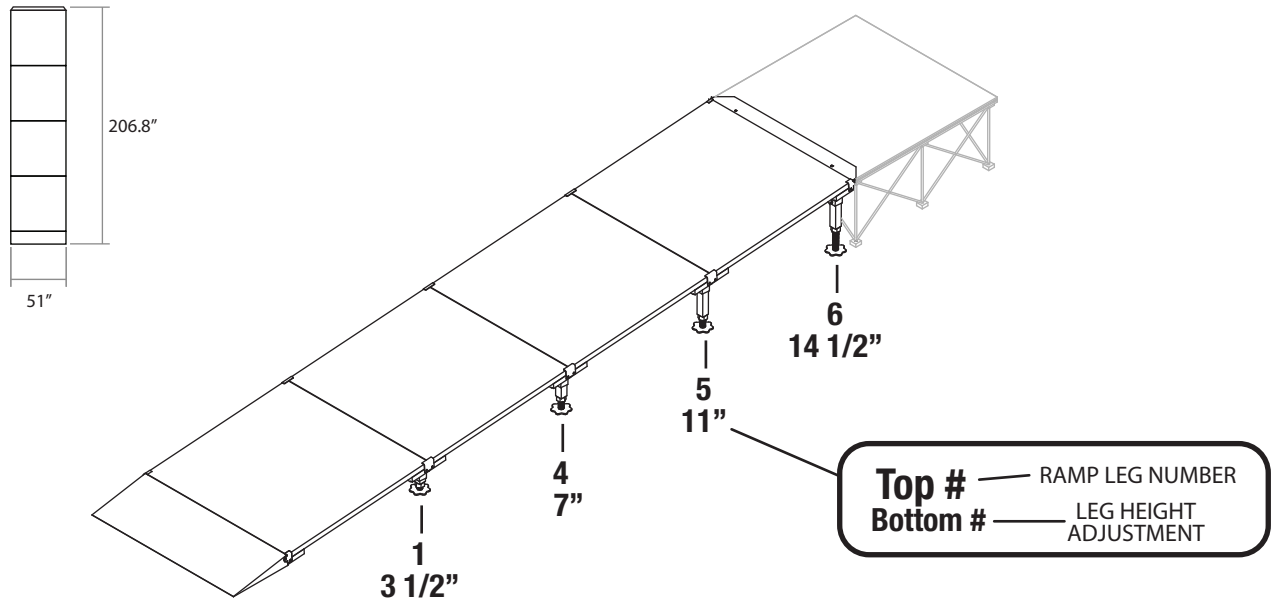
# IS16RWC, IS16RWT, IS16RWI



## Straight Wheelchair Ramp for 16 inch High Stages

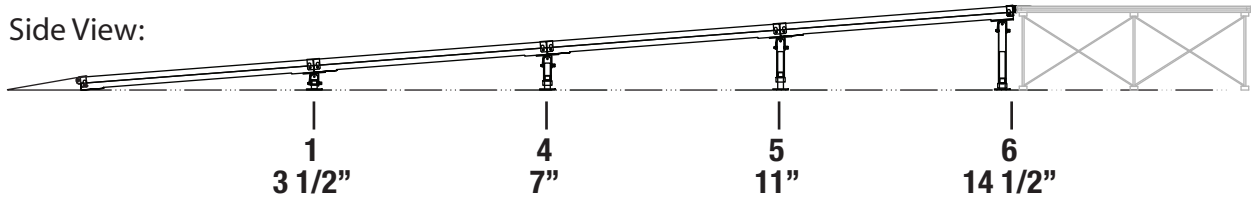
Wheelchair ramps include guardrails (not shown)

Top View:



\* Stage not included with ramp  
\*Guard Rails Not Shown in diagram

Side View:



SKU	DESCRIPTION	PCS PER MASTER PACK	QTY IN SET
ISP4X4CD or ISP4X4TD or ISP4X4ID	4' x 4' Carpet Finish Platforms 4' x 4' TuffCoat Finish Platforms 4' x 4' Industrial Finish Platforms	2	2
ISRBP	Bottom ramp plate with mounting hardware	1	1
ISRCP	Platform connecting plate	1	1
ISRPF	Metal platform assembly plate	1	4
IS2AL1	Two pack of equipment ramp adjustable leg # 1 with hardware	2	1
IS2AL4	Two pack of equipment ramp adjustable leg # 4 with hardware	2	1
IS2AL5	Two pack of equipment ramp adjustable leg # 5 with hardware	2	1
IS2AL6	Two pack of equipment ramp adjustable leg # 6 with hardware	2	1
ISRGRPD	Two pack guard rail panels for 4' ramps w/ mounting hardware	2	3
ISARGRPD	Two pack adjustable ramp guard rail panels w/ mounting hardware	2	1