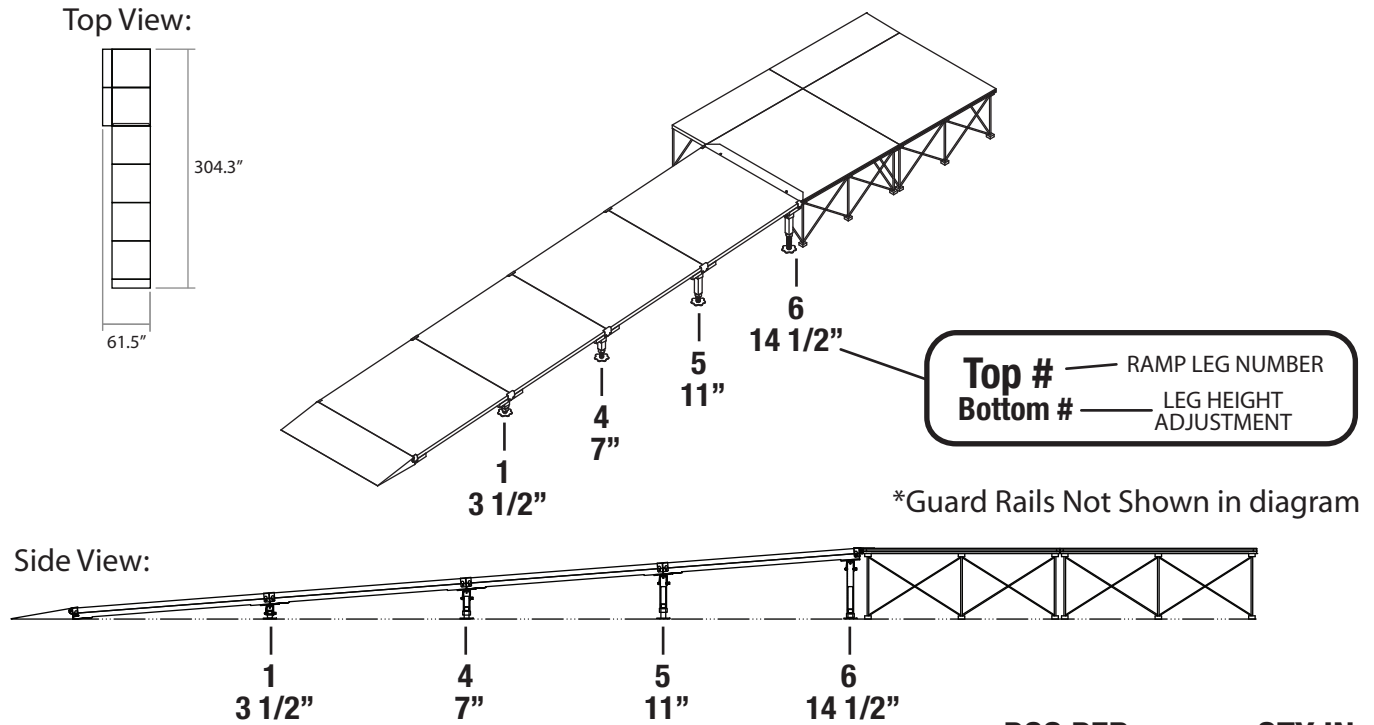


IS16RLWC, IS16RLWT, IS16RLWI



Straight Wheelchair Ramp with Landing for 16 inch High Stages

Wheelchair ramps include guardrails (not shown)



SKU	DESCRIPTION	PCS PER MASTER PACK	QTY IN SET
ISP4X4CD or ISP4X4TD or ISP4X4ID	4' x 4' Carpet Finish Platforms 4' x 4' TuffCoat Finish Platforms 4' x 4' Industrial Finish Platforms	2	3
ISSTEP4 or ISSTEP4 or ISSTEP4	4' x 1' Carpet Finish Step Platform 4' x 1' TuffCoat Finish Step Platform 4' x 1' Industrial Finish Step Platform	1	2
IS4X4X16	16" High Riser for 4'X4' Platform	1	2
ISSTEP4X16	16" High Riser for 4' x 12" Step	1	2
ISRBP	Bottom ramp plate with mounting hardware	1	1
ISRCP	Platform connecting plate	1	1
ISRPF	Metal platform assembly plate	1	4
IS2AL1	Two pack of equipment ramp adjustable leg # 1 with hardware	2	1
IS2AL4	Two pack of equipment ramp adjustable leg # 4 with hardware	2	1
IS2AL5	Two pack of equipment ramp adjustable leg # 5 with hardware	2	1
IS2AL6	Two pack of equipment ramp adjustable leg # 6 with hardware	2	1
ISRSTEPGRPD	Two pack of step guard rail panels w/ mounting hardware	2	1
ISRGRPD	Two pack guard rail panels for 4' ramps w/ mounting hardware	2	5
ISARGRPD	Two pack adjustable ramp guard rail panels w/ mounting hardware	2	1
IS2CMB	Two pack of guard rail panel corner mounting bracket	2	1