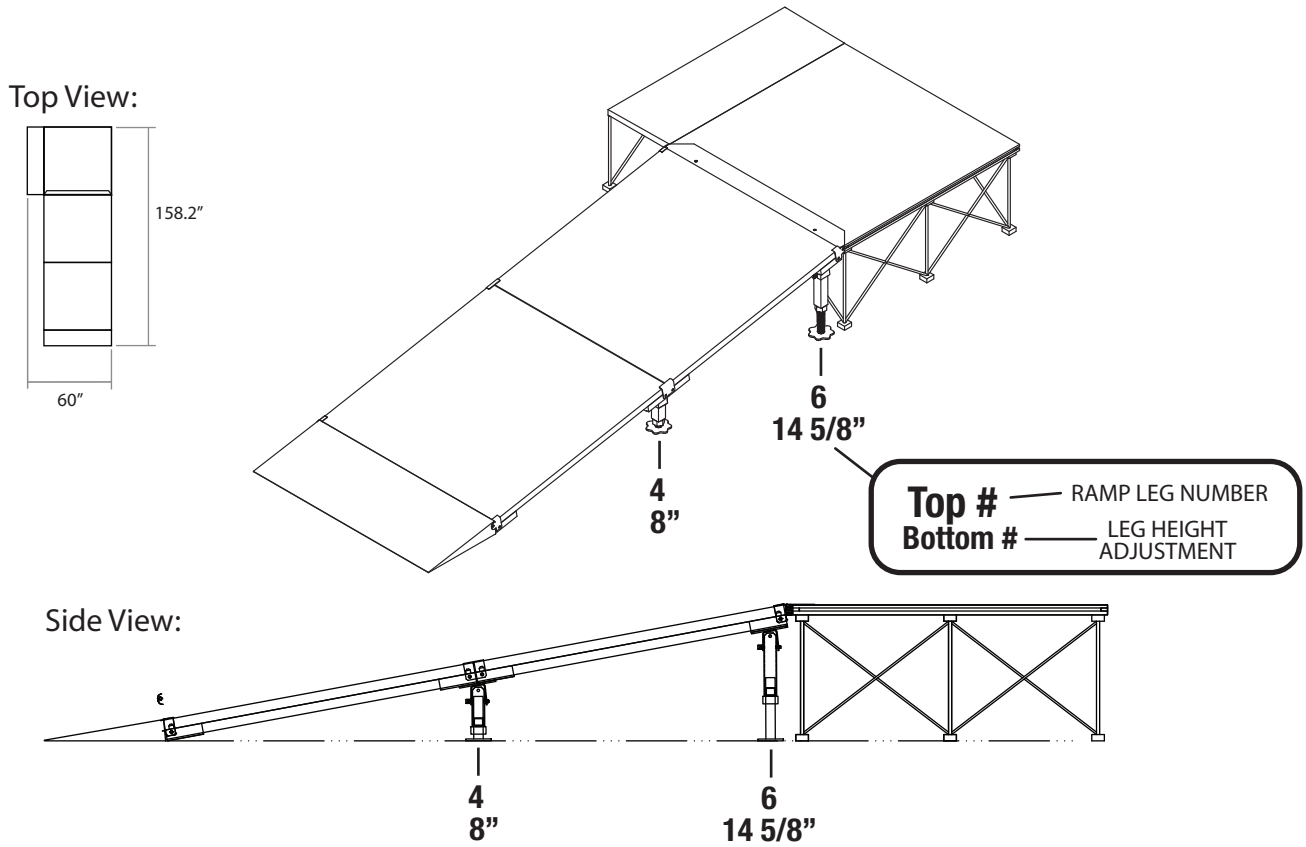


IS16RLC, IS16RLT, IS16RLI



Equipment Ramp with Landing for 16 inch High Stages



SKU	DESCRIPTION	PCS PER MASTER PACK	QTY IN SET
ISP4X4CD or ISP4X4TD or ISP4X4ID	4' x 4' Carpet Finish Platforms 4' x 4' TuffCoat Finish Platforms 4' x 4' Industrial Finish Platforms	2	1
ISP4X4CS or ISP4X4TS or ISP4X4IS	4' x 4' Carpet Finish Platform 4' x 4' TuffCoat Finish Platform 4' x 4' Industrial Finish Platform	1	1
ISSTEP4 or ISSTEP4 or ISSTEP4	4' x 1' Carpet Finish Step Platform 4' x 1' TuffCoat Finish Step Platform 4' x 1' Industrial Finish Step Platform	1	1
IS4X4X16 ISSTEP4X16 ISRBP ISRCP ISRPF IS2AL4 IS2AL6	16" High Riser for 4'X4' Platform 16" High Riser for 4' x 12" Step Bottom ramp plate with mounting hardware Platform connecting plate Metal platform assembly plate Two pack of equipment ramp adjustable leg # 4 with hardware Two pack of equipment ramp adjustable leg # 6 with hardware	1 1 1 1 1 2 2	1 1 1 1 2 1 1